



Applications

Plate lifting clamps are used for lifting and transportation of all kinds of steel plates and beams.

Range

Van Beest offers a wide range of lifting clamps for horizontal and/or vertical lifting of steel plates and beams ranging from Working Load Limit 0.75 t up to 20 t.

The steel plates may have a thickness up to 150 mm.

Upon request other types of clamps can be manufactured.

Design

Four different designs have been developed:

- type E for lifting and vertical transportation of steel plates;
- type EH for horizontal transportation of steel plates;
- type EU a universal type for transportation in all directions;
- type ESV for transportation of steel beams.

Type E, EH and EU are also available as ES, EHS and EUS versions, which means that these versions have an increased opening.

All types of lifting clamps carry the following markings:

- Working Load Limit;
- manufacturer's identification symbol;
- traceability code;
- jaw opening;
- CE;
- serialnumber.

Finish

The plate lifting clamps are made of carbon and alloy steel and are painted.

Certification

All plate lifting clamps are supplied with a serial number and a manufacturer's certificate. Test certificates can be supplied upon request.

Instructions for use

Plate lifting clamps should be inspected before use to ensure that:

- all markings are legible;
- plate lifting clamps are free from nicks, gouges and cracks;
- a clamp with the correct Working Load Limit has been selected with respect to the load to be lifted;
- always make sure that the clamp is supporting the load correctly;
- the WLL should be applied in a straight pull and overloads are not permitted;
- clamps may not be heat treated as this may affect their Working Load Limit;
- never repair or reshape a clamp by welding, heating or bending as this may affect the Working Load Limit.

It is required that the products are regularly inspected and that the inspection should take place in accordance with the safety standards given in the country of use. This is required because the products in use may be affected by wear, misuse, overloading etc. with a consequence of deformation and alteration of the material structure. Inspection should take place at least every six months and even more frequently when the clamps are used in severe operating conditions.

E - ES

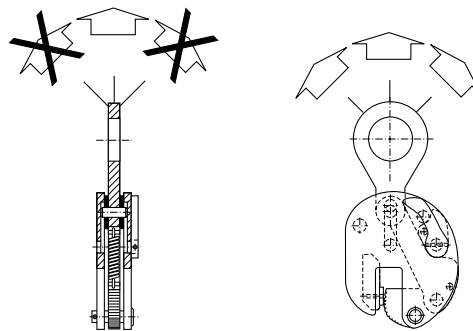


Plate lifting clamps type E and ES.
Do not side load the lifting eye.

EU - EUS

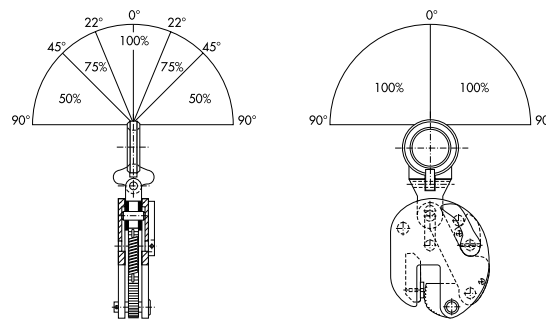


Plate lifting clamps type EU and EUS.
Load reduction should be applied as per load direction angle and corresponding remaining percentage of the Working Load Limit.

EH - EHS 100% WLL

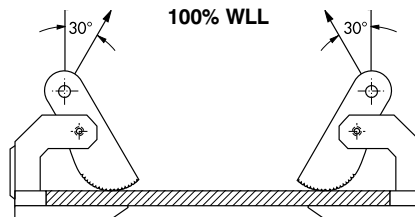


Plate lifting clamps type EH and EHS.
Full load may be applied up to a load direction angle of maximum 30°. Do not use larger angles.

1

2

3

4

5

6

7

8

9

10

11

12

13

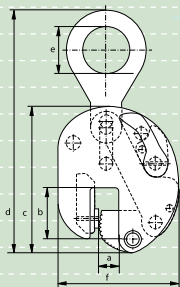
14

15

16



P-6615



Green Pin® plate lifting clamp, type E

for lifting and vertical transportation

- **Material** : carbon and alloy steel
- **Safety factor** : MBL equals 5 x WLL
- **Finish** : painted
- **Certification** : manufacturer's certificate including serial number
test certificates can be supplied upon request

| type | working load limit | width opening | | length opening | | | diameter inside eye | width | thickness | weight each |
|--------|--------------------|---------------|------|----------------|------|------|---------------------|-------|-----------|-------------|
| | | a mm | b mm | c mm | d mm | e mm | | | | |
| 0.75 E | 0.75 | 0 - 14 | 45 | 115 | 210 | 30 | 104 | 36 | 1.5 | |
| 1 E | 1 | 0 - 22 | 72 | 200 | 337 | 57 | 170 | 44 | 6 | |
| 1.5 E | 1.5 | 0 - 22 | 72 | 200 | 337 | 57 | 170 | 52 | 7.1 | |
| 2 E | 2 | 0 - 28 | 87 | 237 | 430 | 70 | 218 | 65 | 13.2 | |
| 3 E | 3 | 0 - 28 | 87 | 237 | 430 | 70 | 218 | 77 | 14.2 | |
| 4 E | 4 | 0 - 32 | 115 | 293 | 500 | 86 | 226 | 69 | 21 | |
| 6 E | 6 | 0 - 32 | 115 | 293 | 500 | 86 | 226 | 85 | 24.2 | |
| 7.5 E | 7.5 | 0 - 42 | 120 | 350 | 560 | 80 | 305 | 90 | 35 | |
| 9 E | 9 | 0 - 52 | 125 | 380 | 620 | 88 | 274 | 90 | 48 | |
| 12 E | 12 | 0 - 75 | 135 | 480 | 760 | 90 | 410 | 130 | 90 | |
| 15 E | 15 | 0 - 75 | 135 | 480 | 760 | 90 | 410 | 130 | 90 | |
| 20 E | 20 | 0 - 75 | 160 | 550 | 890 | 100 | 490 | 140 | 132 | |

Green Pin® plate lifting clamp, with enlarged opening, type ES

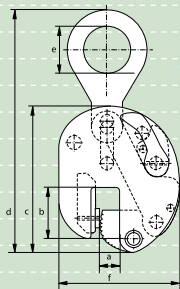
for lifting and vertical transportation

- **Material** : carbon and alloy steel
- **Safety factor** : MBL equals 5 x WLL
- **Finish** : painted
- **Certification** : manufacturer's certificate including serial number
test certificates can be supplied upon request

| type | working load limit | width opening | | length opening | | | diameter inside eye | width | thickness | weight each |
|---------|--------------------|---------------|------|----------------|------|------|---------------------|-------|-----------|-------------|
| | | a mm | b mm | c mm | d mm | e mm | | | | |
| 0.75 ES | 0.75 | 12 - 24 | 45 | 115 | 210 | 30 | 114 | 36 | 1.5 | |
| 1 ES | 1 | 18 - 38 | 72 | 200 | 337 | 57 | 186 | 44 | 6 | |
| 1.5 ES | 1.5 | 18 - 38 | 72 | 200 | 337 | 57 | 186 | 52 | 7.1 | |
| 2 ES | 2 | 23 - 50 | 87 | 237 | 430 | 70 | 240 | 65 | 13.2 | |
| 3 ES | 3 | 23 - 50 | 87 | 237 | 430 | 70 | 240 | 77 | 14.2 | |
| 4 ES | 4 | 26 - 58 | 115 | 293 | 500 | 86 | 252 | 69 | 21 | |
| 6 ES | 6 | 26 - 58 | 115 | 293 | 500 | 86 | 252 | 85 | 24.2 | |
| 7.5 ES | 7.5 | 30 - 72 | 120 | 350 | 560 | 80 | 335 | 90 | 35 | |
| 9 ES | 9 | 48 - 100 | 125 | 380 | 620 | 88 | 274 | 90 | 48 | |
| 12 ES | 12 | 75 - 150 | 135 | 480 | 760 | 90 | 485 | 130 | 90 | |
| 15 ES | 15 | 75 - 150 | 135 | 480 | 760 | 90 | 485 | 130 | 94 | |
| 20 ES | 20 | 75 - 150 | 160 | 550 | 890 | 100 | 565 | 140 | 132 | |



P-6616



Green Pin® plate lifting clamp, type EU

for lifting and transportation in all directions

- **Material** : carbon and alloy steel
- **Safety factor** : MBL equals 5 x WLL
- **Finish** : painted
- **Certification** : manufacturer's certificate including serial number
test certificates can be supplied upon request

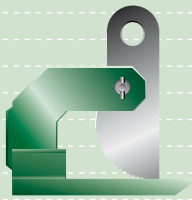
| type | working load limit | width opening | | length opening | | | diameter inside eye | width | thickness | weight each |
|---------|--------------------|---------------|------|----------------|------|------|---------------------|-------|-----------|-------------|
| | | a mm | b mm | c mm | d mm | e mm | | | | |
| 0.75 EU | 0.75 | 0 - 14 | 45 | 115 | 220 | 31 | 104 | 36 | 1.6 | |
| 1.5 EU | 1.5 | 0 - 22 | 72 | 200 | 327 | 68 | 170 | 52 | 7.9 | |
| 3 EU | 3 | 0 - 28 | 87 | 237 | 450 | 80 | 218 | 77 | 15.2 | |
| 6 EU | 6 | 0 - 32 | 115 | 293 | 480 | 80 | 226 | 85 | 26 | |
| 7.5 EU | 7.5 | 0 - 42 | 120 | 350 | 580 | 80 | 305 | 90 | 35 | |
| 9 EU | 9 | 0 - 52 | 125 | 380 | 700 | 90 | 274 | 90 | 52 | |
| 12 EU | 12 | 0 - 75 | 135 | 480 | 780 | 115 | 410 | 130 | 94 | |

Green Pin® plate lifting clamp, with enlarged opening, type EUS

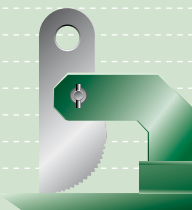
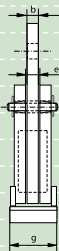
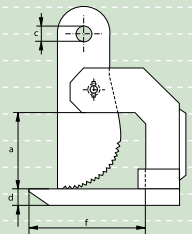
for lifting and transportation in all directions

- **Material** : carbon and alloy steel
- **Safety factor** : MBL equals 5 x WLL
- **Finish** : painted
- **Certification** : manufacturer's certificate including serial number
test certificates can be supplied upon request

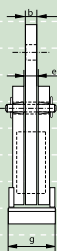
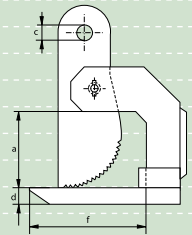
| type | working load limit | width opening | | length opening | | | diameter inside eye | width | thickness | weight each |
|----------|--------------------|---------------|------|----------------|------|------|---------------------|-------|-----------|-------------|
| | | a mm | b mm | c mm | d mm | e mm | | | | |
| 0.75 EUS | 0.75 | 12 - 24 | 45 | 115 | 220 | 31 | 114 | 36 | 1.6 | |
| 1.5 EUS | 1.50 | 18 - 38 | 72 | 200 | 327 | 68 | 186 | 52 | 7.9 | |
| 3 EUS | 3 | 23 - 50 | 87 | 237 | 430 | 80 | 240 | 78 | 15 | |
| 6 EUS | 6 | 26 - 58 | 115 | 293 | 480 | 80 | 252 | 95 | 26 | |
| 7.5 EUS | 7.5 | 30 - 72 | 120 | 350 | 580 | 80 | 335 | 100 | 35 | |
| 9 EUS | 9 | 48 - 100 | 125 | 380 | 700 | 90 | 384 | 100 | 52 | |
| 12 EUS | 12 | 75 - 150 | 135 | 480 | 780 | 115 | 485 | 140 | 94 | |



P-6635



P-6636



Green Pin® plate lifting clamp, type EH for lifting and horizontal transportation

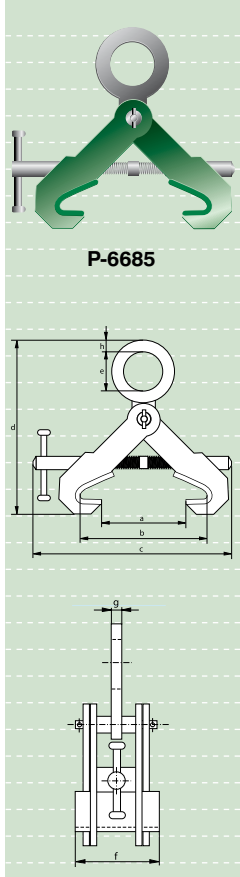
- **Material** : carbon and alloy steel
- **Safety factor** : MBL equals 5 x WLL
- **Finish** : painted
- **Certification** : manufacturer's certificate including serial number
test certificates can be supplied upon request

| type | working load limit per set | width opening | | thickness | diameter eye | thickness | width | length | width | weight per set |
|--------|----------------------------|---------------|------|-----------|--------------|-----------|-------|--------|-------|----------------|
| | | a mm | b mm | c mm | d mm | e mm | f mm | g mm | kg | |
| 1.5 EH | 1.5 | 0 - 22 | 18 | 16.2 | 12 | 16 | 70 | 60 | 4 | |
| 3 EH | 3 | 0 - 60 | 16 | 23 | 25 | 18 | 155 | 80 | 11 | |
| 4 EH | 4 | 0 - 60 | 20 | 42 | 25 | 22 | 155 | 80 | 16.4 | |
| 6 EH | 6 | 0 - 60 | 20 | 42 | 25 | 22 | 155 | 100 | 17.8 | |
| 8 EH | 8 | 0 - 60 | 25 | 42 | 25 | 27 | 155 | 120 | 20 | |
| 10 EH | 10 | 0 - 60 | 25 | 42 | 30 | 27 | 155 | 120 | 28 | |
| 14 EH | 14 | 0 - 60 | 30 | 48 | 35 | 32 | 155 | 130 | 36 | |
| 18 EH | 18 | 0 - 60 | 30 | 48 | 40 | 32 | 155 | 150 | 48.2 | |

Green Pin® plate lifting clamp, with enlarged opening, type EHS for lifting and horizontal transportation

- **Material** : carbon and alloy steel
- **Safety factor** : MBL equals 5 x WLL
- **Finish** : painted
- **Certification** : manufacturer's certificate including serial number
test certificates can be supplied upon request

| type | working load limit per set | width opening | | thickness | diameter eye | thickness | width | length | width | weight per set |
|--------|----------------------------|---------------|------|-----------|--------------|-----------|-------|--------|-------|----------------|
| | | a mm | b mm | c mm | d mm | e mm | f mm | g mm | kg | |
| 3 EHS | 3 | 0 - 100 | 16 | 23 | 25 | 18 | 155 | 80 | 12.4 | |
| 4 EHS | 4 | 0 - 100 | 20 | 42 | 25 | 22 | 155 | 80 | 17.6 | |
| 6 EHS | 6 | 0 - 100 | 20 | 42 | 25 | 22 | 155 | 100 | 20 | |
| 8 EHS | 8 | 0 - 100 | 25 | 42 | 25 | 27 | 155 | 120 | 26 | |
| 10 EHS | 10 | 0 - 100 | 25 | 42 | 30 | 27 | 155 | 120 | 32 | |
| 14 EHS | 14 | 0 - 100 | 30 | 48 | 40 | 32 | 155 | 130 | 40 | |
| 18 EHS | 18 | 0 - 100 | 30 | 48 | 40 | 32 | 155 | 150 | 52 | |



Green Pin® lifting clamp, type ESV for lifting and transportation of steel beams

- **Material** : carbon and alloy steel
- **Safety factor** : MBL equals 5 x WLL
- **Finish** : painted
- **Certification** : manufacturer's certificate including serial number
test certificates can be supplied upon request

| type | working load limit | width jaw opening | width jaw opening | length | height | diameter eye inside | width | thickness | width | weight each |
|-------|--------------------|-------------------|-------------------|--------|-----------|---------------------|-------|-----------|-------|-------------|
| | t | a | b | c | d | e | f | g | h | kg |
| | | mm | mm | mm | mm | mm | mm | mm | mm | |
| 2 ESV | 2 | 0 - 160 | 60 - 200 | 270 | 210 - 250 | 65 | 120 | 16 | 22 | 5.1 |
| 3 ESV | 3 | 0 - 160 | 60 - 200 | 270 | 250 - 290 | 65 | 120 | 16 | 22 | 5.3 |
| 4 ESV | 4 | 0 - 250 | 80 - 310 | 400 | 285 - 370 | 70 | 125 | 20 | 28 | 8.6 |
| 5 ESV | 5 | 0 - 260 | 90 - 320 | 400 | 355 - 445 | 80 | 125 | 20 | 36 | 11.1 |
| 6 ESV | 6 | 0 - 340 | 85 - 420 | 480 | 360 - 510 | 80 | 125 | 20 | 36 | 14 |

Green Pin® plate lifting clamp spare parts



P-6651 lifting eye



P-6652 lock lever assembly



S-6653 lock spring



P-6654 cam assembly



S-6655 cam pin



S-6656 pivot



S-6657 eye pin



P-6658 universal eye component