

- STARPOINT VRS-M20

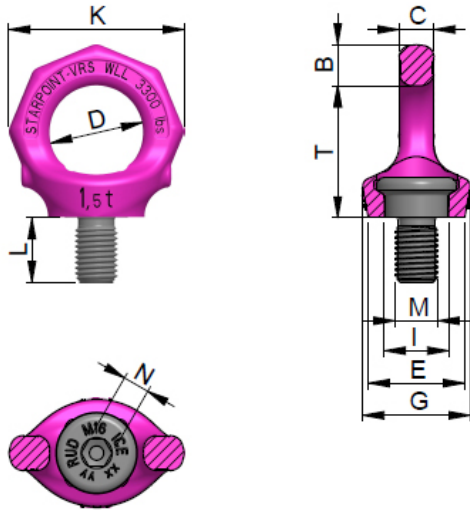
Artikel-Nr: 7100559



- Lifting points pivots 360°. Easy adjustment in load direction.
- ICE-Bolt made out of patented steel. Non-hazardous deep temperature usage down to -60°; higher toughness and therefore higher bending strength as well as less wear occurrence.
- Not exchangeable ICE-Bolt (this reduces the usage of improper standard bolts).
- Clear marking of the minimum WLL for all loading directions. Higher WLL possible when location and installation is optimised (compare WLL chart / product information).
- Clear marking at the bolt head: RUD, thread size, batch-no, ICE.
- Variable bolt lengths available for tapped or through holes.
- Available as: - Standard Metric Thread (DIN EN 13) - Metric Fine Thread (DIN EN 13) - Coarse Pitch Thread UNC (ANSI B1.1) - Fine Thread 8UN (ANSI B1.1) - Inch Pipe Thread (DIN 228)
- Significant product characteristics of the VRS are subject to property right claims.
- Tested and certified by DGUV. Testing specifications: GS-OA-15-04:2012-05 Certificate No.: OA OA 1451015
- Complying with the US-Standard (ASME B30.26). Quick and easy installation with just one bolt connection.
- Installation and disassembly without any further tools than the exchangeable Easy-Fit star profile key for singular lifts (Version VRS-F).
- For permanent installation and recurrent lifts we can offer a special socket wrench to apply the requested torque (fits to a common Inch torque wrench).

- STARPOINT VRS-M20

Artikel-Nr: 7100559



| | | |
|---|---------|----------|
| | 0.45 kg | 0.99 lbs |
| . | 2300 kg | 5070 lbs |
| T | 58 mm | 2-9/32" |
| B | 17 mm | 43/64" |
| C | 16 mm | 5/8" |
| D | 40 mm | 1-9/16" |
| E | 41 mm | 1-5/8" |
| G | 50 mm | 1-31/32" |
| I | 29,3 mm | 1-5/32" |
| K | 76 mm | 3" |
| L | 30 mm | 1-3/16" |
| M | M20 mm | M20 |
| N | 12 mm | 15/32" |