

- STARPOINT VRS-M10

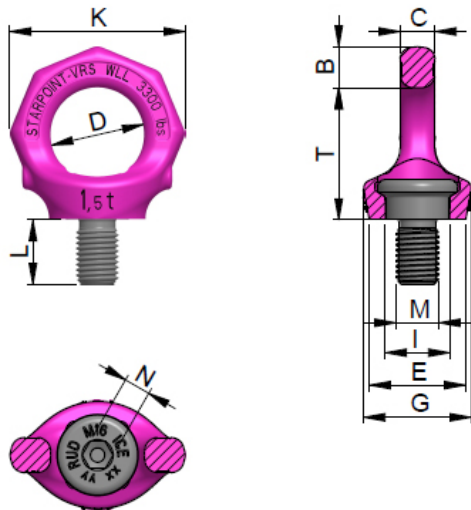
Artikel-Nr: 7100555



- Lifting points pivots 360°. Easy adjustment in load direction.
- ICE-Bolt made out of patented steel. Non-hazardous deep temperature usage down to -60°; higher toughness and therefore higher bending strength as well as less wear occurrence.
- Not exchangeable ICE-Bolt (this reduces the usage of improper standard bolts).
- Clear marking of the minimum WLL for all loading directions. Higher WLL possible when location and installation is optimised (compare WLL chart / product information).
- Clear marking at the bolt head: RUD, thread size, batch-no, ICE.
- Variable bolt lengths available for tapped or through holes.
- Available as: - Standard Metric Thread (DIN EN 13) - Metric Fine Thread (DIN EN 13) - Coarse Pitch Thread UNC (ANSI B1.1) - Fine Thread 8UN (ANSI B1.1) - Inch Pipe Thread (DIN 228)
- Significant product characteristics of the VRS are subject to property right claims.
- Tested and certified by DGUV. Testing specifications: GS-OA-15-04:2012-05 Certificate No.: OA OA 1451015
- Complying with the US-Standard (ASME B30.26). Quick and easy installation with just one bolt connection.
- Installation and disassembly without any further tools than the exchangeable Easy-Fit star profile key for singular lifts (Version VRS-F).
- For permanent installation and recurrent lifts we can offer a special socket wrench to apply the requested torque (fits to a common Inch torque wrench).

- STARPOINT VRS-M10

Artikel-Nr: 7100555



	0.10 kg	0.22 lbs
.	400 kg	8800 lbs
T	35 mm	1-3/8"
B	11 mm	7/16"
C	9 mm	11/32"
D	25 mm	63/64"
E	25 mm	63/64"
G	30 mm	1-3/16"
I	16,3 mm	41/64"
K	47 mm	1-7/8"
L	15 mm	19/32"
M	M10 mm	M10
N	6 mm	15/64"