

- Starpoint VRS-F-M36

Artikel-Nr: 7984201

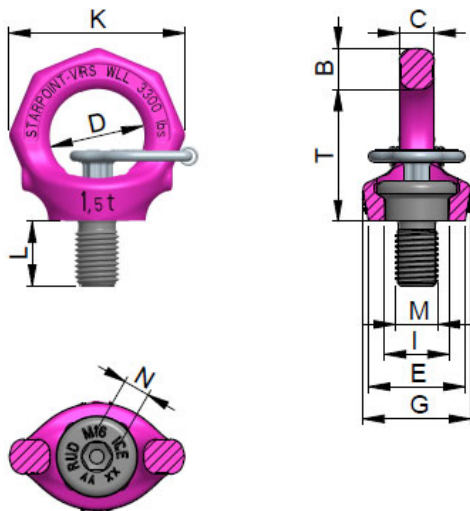


- Lifting points pivots 360°. Easy adjustment in load direction.
- Not exchangeable RUD-Bolt (this reduces the usage of improper standard bolts).
- Clear marking of the minimum WLL for all loading directions. Higher WLL possible when location and installation is optimised (compare WLL chart / product information).
- Clear marking at the bolt head: RUD, thread size, batch-no.
- Variable bolt lengths available for tapped or through holes.
- Available as: - Standard Metric Thread (DIN EN 13) - Metric Fine Thread (DIN EN 13) - Coarse Pitch Thread UNC (ANSI B1.1) - Fine Thread 8UN (ANSI B1.1) - Inch Pipe Thread (DIN 228)
- Significant product characteristics of the VRS are subject to property right claims.
- Tested and certified by DGUV. Testing specifications: GS-OA-15-04:2012-05 Certificate No.: OA OA 1451015
- Complying with the US-Standard (ASME B30.26). Quick and easy installation with just one bolt connection.
- Installation and disassembly without any further tools than the exchangeable Easy-Fit star profile key for singular lifts.
- For permanent installation and recurrent lifts we can offer a special socket wrench to apply the requested torque (fits to a common Inch torque wrench).

Other important RUD specific information and specialities to our RUD lifting points can be found in the specific user instruction.

- Starpoint VRS-F-M36

Artikel-Nr: 7984201



	3.49 kg	7.69 lbs
.	7000 kg	15430 lbs
T	103 mm	4-1/16"
B	32 mm	1-1/4"
C	29 mm	1-5/32"
D	72 mm	2-27/32"
E	76 mm	3"
G	97 mm	3-13/16"
I	53 mm	2-3/32"
K	135 mm	5-5/16"
L	54 mm	2-1/8"
M	M36 mm	M36
N	22 mm	7/8"