

## - Starpoint VRS-F-M20

Artikel-Nr: 7101315

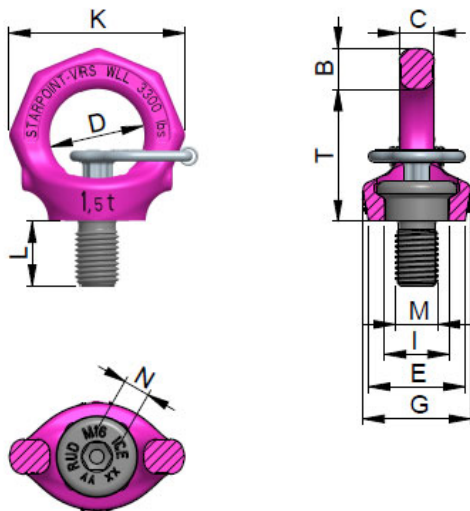


- Lifting points pivots 360°. Easy adjustment in load direction.
- ICE-Bolt made out of patented steel. Non-hazardous deep temperature usage down to -60°; higher toughness and therefore higher bending strength as well as less wear occurrence.
- Not exchangeable ICE-Bolt (this reduces the usage of improper standard bolts).
- Clear marking of the minimum WLL for all loading directions. Higher WLL possible when location and installation is optimised (compare WLL chart / product information).
- Clear marking at the bolt head: RUD, thread size, batch-no, ICE.
- Variable bolt lengths available for tapped or through holes.
- Available as: - Standard Metric Thread (DIN EN 13) - Metric Fine Thread (DIN EN 13) - Coarse Pitch Thread UNC (ANSI B1.1) - Fine Thread 8UN (ANSI B1.1) - Inch Pipe Thread (DIN 228)
- Significant product characteristics of the VRS are subject to property right claims.
- Tested and certified by DGUV. Testing specifications: GS-OA-15-04:2012-05 Certificate No.: OA OA 1451015
- Complying with the US-Standard (ASME B30.26). Quick and easy installation with just one bolt connection.
- Installation and disassembly without any further tools than the exchangeable Easy-Fit star profile key for singular lifts.
- For permanent installation and recurrent lifts we can offer a special socket wrench to apply the requested torque (fits to a common Inch torque wrench).

Other important RUD specific information and specialities to our RUD lifting points can be found in the specific user instruction.

## - Starpoint VRS-F-M20

Artikel-Nr: 7101315



	0.60 kg	1.32 lbs
.	2300 kg	5070 lbs
<b>T</b>	58 mm	2-9/32"
<b>B</b>	17 mm	43/64"
<b>C</b>	16 mm	5/8"
<b>D</b>	40 mm	1-9/16"
<b>E</b>	41 mm	1-5/8"
<b>G</b>	50 mm	1-31/32"
<b>I</b>	29,3 mm	1-5/32"
<b>K</b>	76 mm	3"
<b>L</b>	30 mm	1-3/16"
<b>M</b>	M20 mm	M20
<b>N</b>	12 mm	15/32"