



aerospace  
climate control  
electromechanical  
filtration  
fluid & gas handling  
hydraulics  
pneumatics  
process control  
sealing & shielding



# Kamlock Couplings

Cam & Groove



ENGINEERING YOUR SUCCESS.

**a - Kamlock**

a

**Pressure range**

Size	1/2"		3/4" - 2"		2 1/2"		3"		4"		5"		6"		8"	
Unit of measurement	bar	psi	bar	psi	bar	psi	bar	psi	bar	psi	bar	psi	bar	psi	bar	psi
Brass	11	150	18	250	11	150	9	125	7	100	5	75	5	75	-	-
Aluminium	11	150	18	250	11	150	9	125	7	100	5	75	5	75	5	75
Stainless steel	11	150	18	250	16	225	14	200	7	100	7	100	7	100	3	50

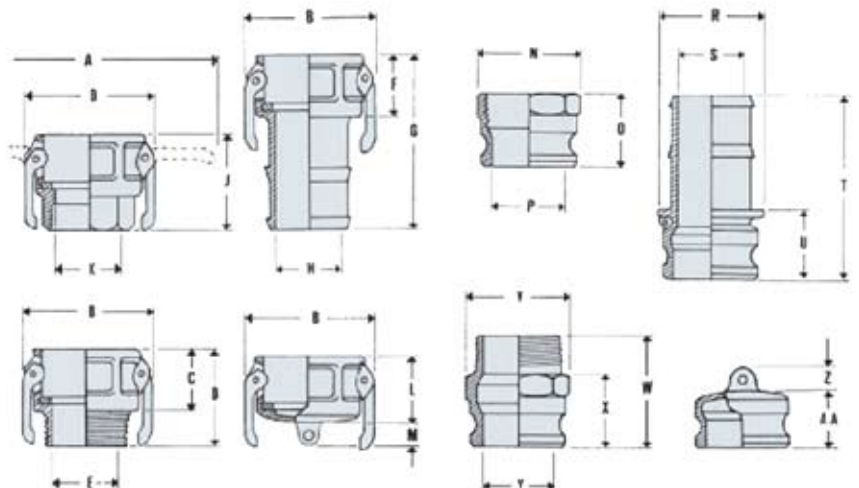
**Temperature range**

The working pressures shown above refer to ambient temperatures using elastomer seals. Higher temperatures and / or PTFE seals will reduce the rated coupling pressure. In the case of polypropylene, the maximum working temperature is 70 °C (160 °F), at which temperature the working pressures shown above should be reduced by 40 %. Hose, coupling, seal and assembly method must be chosen in relation with the desired application and temperature range.

**Materials**

Kamlock couplings are available in the following materials

- Stainless steel:  
ASTM A666 grade 316 / 1.4401
- Brass:  
ASTM B584 grade C85700
- Aluminium:  
ASTM B85 grade 380
- Polypropylene:  
PP couplings contain 25-30 % fiberglass reinforcements



**Dimensions**

ND	Size	A	B	C	D	E	F	G	H	J	K	L
13	1/2"	30	40	31	46	13	31	66	10	46	14	33
20	3/4"	115	50	33	49	19	55	85	14	49	21	34
25	1"	138	62	40	60	24	40	98	20	60	26	41
32	1.1/4"	178	81	46	68	31	46	104	26	70	35	48
40	1.1/2"	185	87	48	70	38	48	109	32	73	38	50
50	2"	195	90	54	79	48	54	124	43	79	46	57
65	2.1/2"	208	111	55	85	62	55	135	54	87	56	59
80	3"	250	143	57	90	75	57	159	66	92	73	62
100	4"	270	171	61	101	100	61	169	89	101	98	65
125	5"	300	-	61	101	122	61	188	118	105	128	65
150	6"	400	254	67	112	150	67	240	140	111	144	73

M	N	O	P	S	T	U	V	W	X	Y	Z	AA
13	24	37	14	10	62	28	24	52	37	14	4	26
13	32	40	19	14	76	25	32	57	40	19	10	26
13	43	48	23	19	92	36	43	69	49	23	10	23
13	50	55	28	25	98	41	58	77	55	28	10	40
13	56	36	36	31	102	44	56	78	56	36	10	42
13	68	62	46	43	117	49	68	87	62	46	10	48
13	85	86	56	56	129	51	85	98	68	56	10	49
13	102	88	73	64	153	51	102	108	70	73	10	51
13	126	78	98	89	168	55	126	118	78	98	12	53
13	-	83	118	118	188	56	-	103	63	118	12	58
16	-	82	150	138	230	60	-	108	68	150	12	58

## Male coupler with serrated hose shank

Coupling standard: **Federal Mil A-A-59326A**  
 Material: **Aluminium, Stainless Steel, Brass, Polypropylene**  
 For hose type: **POLIAX, CARBURITE, CARBOCORD, CHEMIOEL, FUCINO, WATER, IDRO, BEVERA**  
 Assembly:

Safety Clamps	Worm Drive	Bolt clamps	Crimping
	X	X	

### Aluminium



Part-No.	Hose I.D. mm	Inch	Collar	Weight kg/pcs
VLEA019	19	3/4	x	0,05
VLEA025	25	1	x	0,09
VLEA032	32	1 1/4	x	0,12
VLEA038	38	1 1/2	x	0,19
VLEA050	50	2	x	0,28
VLEA063	63	2 1/2	x	0,45
VLEA075	75	3	x	0,66
VLEA100	100	4	x	1,13
VLEA125	125	5	x	1,48
VLEA150	150	6	x	2,20

### Stainless Steel (AISI 316/1.4401)



Part-No.	Hose I.D. mm	Inch	Collar	Weight kg/pcs
VLER019	19	3/4	x	0,14
VLER025	25	1	x	0,25
VLER032	32	1 1/4	x	0,37
VLER038	38	1 1/2	x	0,56
VLER050	50	2	x	0,85
VLER063	63	2 1/2	x	1,17
VLER075	75	3	x	1,73
VLER100	100	4	x	2,85
VLER125	125	5	x	4,05
VLER150	150	6	x	5,64

### Brass



Part-No.	Hose I.D. mm	Inch	Collar	Weight kg/pcs
VLEM019	19	3/4	x	0,15
VLEM025	25	1	x	0,24
VLEM032	32	1 1/4	x	0,33
VLEM038	38	1 1/2	x	0,44
VLEM050	50	2	x	0,73
VLEM063	63	2 1/2	x	0,96
VLEM075	75	3	x	1,25
VLEM100	100	4	x	1,91
VLEM125	125	5	x	4,54
VLEM150	150	6	x	5,07

### Polypropylene



Part-No.	Hose I.D. mm	Inch	Collar	Weight kg/pcs
VLEP013	13	1/2	x	0,01
VLEP019	19	3/4	x	0,03
VLEP025	25	1	x	0,04
VLEP032	32	1 1/4	x	0,07
VLEP038	38	1 1/2	x	0,09
VLEP050	50	2	x	0,15
VLEP075	75	3	x	0,35
VLEP100	100	4	x	0,55

## Female coupler with serrated hose shank

Coupling standard: **Federal Mil A-A-59326A**  
 Material: **Aluminium, Stainless Steel, Brass, Polypropylene**  
 For hose type: **POLIAX, CARBURITE, CARBOCORD, CHEMIOEL, FUCINO, WATER, IDRO, BEVERA**  
 Assembly:

Safety Clamps	Worm Drive	Bolt clamps	Crimping
	X	X	

### Aluminium



Part-No.	Hose I.D. mm	Inch	Collar	Handles	Weight kg/pcs
VLCA019	19	3/4	-	2	0,12
VLCA025	25	1	-	2	0,17
VLCA032	32	1 1/4	-	2	0,28
VLCA038	38	1 1/2	-	2	0,34
VLCA050	50	2	-	2	0,44
VLCA063	63	2 1/2	-	2	0,59
VLCA075	75	3	-	2	0,86
VLCA100	100	4	-	2	1,25
VLCA125	125	5	-	2	1,68
VLCA150	150	6	-	2	2,66

### Stainless Steel (AISI 316/1.4401)



Part-No.	Hose I.D. mm	Inch	Collar	Handles	Weight kg/pcs
VLCR019	19	3/4	x	2	0,25
VLCR025	25	1	x	2	0,37
VLCR032	32	1 1/4	x	2	0,59
VLCR038	38	1 1/2	x	2	0,70
VLCR050	50	2	x	2	0,81
VLCR063	63	2 1/2	x	2	1,34
VLCR075	75	3	x	2	1,97
VLCR100	100	4	x	2	3,14
VLCR125	125	5	x	2	4,96
VLCR150	150	6	x	2	5,58

### Brass



Part-No.	Hose I.D. mm	Inch	Collar	Handles	Weight kg/pcs
VLCM019	19	3/4	-	2	0,23
VLCM025	25	1	-	2	0,36
VLCM032	32	1 1/4	-	2	0,49
VLCM038	38	1 1/2	-	2	0,62
VLCM050	50	2	-	2	0,77
VLCM063	63	2 1/2	-	2	1,07
VLCM075	75	3	-	2	1,58
VLCM100	100	4	-	2	4,13
VLCM125	125	5	-	2	3,32
VLCM150	150	6	-	2	6,05

### Polypropylene



Part-No.	Hose I.D. mm	Inch	Collar	Handles	Weight kg/pcs
VLCP013	13	1/2	-	2	0,07
VLCP019	19	3/4	-	2	0,08
VLCP025	25	1	-	2	0,12
VLCP032	32	1 1/4	-	2	0,23
VLCP038	38	1 1/2	-	2	0,23
VLCP050	50	2	-	2	0,31
VLCP075	75	3	-	2	0,64
VLCP100	100	4	-	2	0,90

## Male coupler with hose shank DIN 2817

Coupling standard: **EN 14420-7 / DIN 2828**  
 Shank standard: **EN 14420-2 / DIN 2828**  
 Material: **Stainless Steel, Brass**  
 For hose type: **POLIAIX, CARBURITE, CARBOCORD, CHEMIOEL, IDRO**  
 Assembly:

Safety Clamps	Worm Drive	Bolt clamps	Crimping
X			



### Stainless Steel (AISI 316/1.4401)

Part-No.	Hose I.D. mm	Inch	Weight kg/pcs
VLER019D	19	3/4	0,13
VLER025D	25	1	0,20
VLER032D	32	1 1/4	0,33
VLER038D	38	1 1/2	0,45
VLER050D	50	2	0,58
VLER063D	63	2 1/2	0,96
VLER075D	75	3	1,16
VLER100D	100	4	2,26



### Brass

Part-No.	Hose I.D. mm	Inch	Weight kg/pcs
VLEM019D	19	3/4	0,14
VLEM025D	25	1	0,21
VLEM032D	32	1 1/4	0,35
VLEM038D	38	1 1/2	0,45
VLEM050D	50	2	0,66
VLEM063D	63	2 1/2	0,98
VLEM075D	75	3	1,26
VLEM100D	100	4	2,69

## Female coupler with hose shank DIN 2817

Coupling standard: **EN 14420-7 / DIN 2828**  
 Shank standard: **EN 14420-2 / DIN 2828**  
 Material: **Stainless Steel, Brass**  
 For hose type: **POLIAX, CARBURITE, CARBOCORD, CHEMIOEL, IDRO**  
 Assembly:

Safety Clamps	Worm Drive	Bolt clamps	Crimping
X			



### Stainless Steel (AISI 316/1.4401)

Part-No.	Hose I.D. mm	Inch	Weight kg/pcs
VLCR019D	19	3/4	0,24
VLCR025D	25	1	0,35
VLCR032D	32	1 1/4	0,59
VLCR038D	38	1 1/2	0,68
VLCR050D	50	2	0,9
VLCR063D	63	2 1/2	1,24
VLCR075D	75	3	1,57
VLCR100D	100	4	2,59

### Brass



Part-No.	Hose I.D. mm	Inch	Weight kg/pcs
VLCM019D	19	3/4	0,25
VLCM025D	25	1	0,38
VLCM032D	32	1 1/4	0,63
VLCM038D	38	1 1/2	0,69
VLCM050D	50	2	0,91
VLCM063D	63	2 1/2	1,18
VLCM075D	75	3	1,57
VLCM100D	100	4	2,71

## Male coupler with female thread

Coupling standard: **Federal Mil A-A-59326A / EN 14420-7 / DIN 2828**  
 Thread: **EN 10226-1 / EN ISO 228-1**  
 Material: **Aluminium, Stainless Steel, Brass, Polypropylene**  
 For hose type: **POLIAX, CARBURITE, CARBOCORD, CHEMIOEL, FUCINO, WATER, IDRO, BEVERA**

### Aluminium



Part-No.	Hose I.D. mm	Inch	Thread	Weight kg/pcs
VLAA013	13	1/2	G1/2	0,02
VLAA019	19	3/4	G3/4	0,04
VLAA025	25	1	G1	0,05
VLAA032	32	1 1/4	G1 1/4	0,09
VLAA038	38	1 1/2	G1 1/2	0,11
VLAA050	50	2	G2	0,15
VLAA063	63	2 1/2	G2 1/2	0,24
VLAA075	75	3	G3	0,27
VLAA100	100	4	G4	0,58

### Stainless Steel (AISI 316/1.4401)



Part-No.	Hose I.D. mm	Inch	Thread	Weight kg/pcs
VLAR013	13	1/2	G1/2	0,07
VLAR019	19	3/4	G3/4	0,11
VLAR025	25	1	G1	0,15
VLAR032	32	1 1/4	G1 1/4	0,24
VLAR038	38	1 1/2	G1 1/2	0,32
VLAR050	50	2	G2	0,42
VLAR063	63	2 1/2	G2 1/2	0,71
VLAR075	75	3	G3	0,73
VLAR100	100	4	G4	1,42

### Brass



Part-No.	Hose I.D. mm	Inch	Thread	Weight kg/pcs
VLAM013	13	1/2	G1/2	0,07
VLAM019	19	3/4	G3/4	0,10
VLAM025	25	1	G1	0,15
VLAM032	32	1 1/4	G1 1/4	0,20
VLAM038	38	1 1/2	G1 1/2	0,29
VLAM050	50	2	G2	0,35
VLAM063	63	2 1/2	G2 1/2	0,72
VLAM075	75	3	G3	0,73
VLAM100	100	4	G4	1,48

### Polypropylene



Part-No.	Hose I.D. mm	Inch	Thread	Weight kg/pcs
VLAP013	13	1/2	G1/2	0,02
VLAP019	19	3/4	G3/4	0,02
VLAP025	25	1	G1	0,03
VLAP032	32	1 1/4	G1 1/4	0,05
VLAP038	38	1 1/2	G1 1/2	0,07
VLAP050	50	2	G2	0,09
VLAP075	75	3	G3	0,21
VLAP100	100	4	G4	0,36

## Male coupler with male thread

Coupling standard: **Federal Mil A-A-59326A / EN 14420-7 / DIN 2828**  
 Thread: **EN 10226-1 / EN ISO 228-1**  
 Material: **Aluminium, Stainless Steel, Brass, Polypropylene**  
 For hose type: **POLIAX, CARBURITE, CARBOCORD, CHEMIOEL, FUCINO, WATER, IDRO, BEVERA**

a

### Aluminium



Part-No.	Hose I.D. mm	Inch	Thread	Weight kg/pcs
VLFA013	13	1/2	R1/2	0,03
VLFA019	19	3/4	R3/4	0,07
VLFA025	25	1	R1	0,09
VLFA032	32	1 1/4	R1 1/4	0,12
VLFA038	38	1 1/2	R1 1/2	0,18
VLFA050	50	2	R2	0,26
VLFA063	63	2 1/2	R2 1/2	0,36
VLFA075	75	3	R3	0,51
VLFA100	100	4	R4	0,92

### Stainless Steel (AISI 316/1.4401)



Part-No.	Hose I.D. mm	Inch	Thread	Weight kg/pcs
VLFR013	13	1/2	R1/2	0,09
VLFR019	19	3/4	R3/4	0,16
VLFR025	25	1	R1	0,26
VLFR032	32	1 1/4	R1 1/4	0,40
VLFR038	38	1 1/2	R1 1/2	0,52
VLFR050	50	2	R2	0,69
VLFR063	63	2 1/2	R2 1/2	0,98
VLFR075	75	3	R3	1,42
VLFR100	100	4	R4	2,52

### Brass



Part-No.	Hose I.D. mm	Inch	Thread	Weight kg/pcs
VLFM013	13	1/2	R1/2	0,09
VLFM019	19	3/4	R3/4	0,15
VLFM025	25	1	R1	0,23
VLFM032	32	1 1/4	R1 1/4	0,30
VLFM038	38	1 1/2	R1 1/2	0,35
VLFM050	50	2	R2	0,51
VLFM063	63	2 1/2	R2 1/2	0,80
VLFM075	75	3	R3	0,94
VLFM100	100	4	R4	1,71

### Polypropylene



Part-No.	Hose I.D. mm	Inch	Thread	Weight kg/pcs
VLFP013	13	1/2	R1/2	0,02
VLFP019	19	3/4	R3/4	0,03
VLFP025	25	1	R1	0,05
VLFP032	32	1 1/4	R1 1/4	0,08
VLFP038	38	1 1/2	R1 1/2	0,10
VLFP050	50	2	R2	0,14
VLFP075	75	3	R3	0,29
VLFP100	100	4	R4	0,42



## Female coupler with female thread

Coupling standard: **Federal Mil A-A-59326A / EN 14420-7 / DIN 2828**  
 Thread: **EN 10226-1 / EN ISO 228-1**  
 Material: **Aluminium, Stainless Steel, Brass, Polypropylene**  
 For hose type: **POLIAIX, CARBURITE, CARBOCORD, CHEMIOEL, FUCINO, WATER, IDRO, BEVERA**

### Aluminium



Part-No.	Hose I.D. mm	Inch	Thread	Handles	Weight kg/pcs
VLDA013	13	1/2	G1/2	1	0,06
VLDA019	19	3/4	G3/4	2	0,12
VLDA025	25	1	G1	2	0,16
VLDA032	32	1 1/4	G1 1/4	2	0,28
VLDA038	38	1 1/2	G1 1/2	2	0,32
VLDA050	50	2	G2	2	0,36
VLDA063	63	2 1/2	G2 1/2	2	0,47
VLDA075	75	3	G3	2	0,73
VLDA100	100	4	G4	2	1,21

### Stainless Steel (AISI 316/1.4401)



Part-No.	Hose I.D. mm	Inch	Thread	Handles	Weight kg/pcs
VLDR013	13	1/2	G1/2	1	0,13
VLDR019	19	3/4	G3/4	2	0,23
VLDR025	25	1	G1	2	0,31
VLDR032	32	1 1/4	G1 1/4	2	0,49
VLDR038	38	1 1/2	G1 1/2	2	0,55
VLDR050	50	2	G2	2	0,70
VLDR063	63	2 1/2	G2 1/2	2	1,00
VLDR075	75	3	G3	2	1,30
VLDR100	100	4	G4	2	2,14

### Brass



Part-No.	Hose I.D. mm	Inch	Thread	Handles	Weight kg/pcs
VLDM013	13	1/2	G1/2	1	0,16
VLDM019	19	3/4	G3/4	2	0,22
VLDM025	25	1	G1	2	0,32
VLDM032	32	1 1/4	G1 1/4	2	0,46
VLDM038	38	1 1/2	G1 1/2	2	0,54
VLDM050	50	2	G2	2	0,67
VLDM063	63	2 1/2	G2 1/2	2	0,94
VLDM075	75	3	G3	2	1,40
VLDM100	100	4	G4	2	2,09

### Polypropylene



Part-No.	Hose I.D. mm	Inch	Thread	Handles	Weight kg/pcs
VLDP013	13	1/2	G1/2	2	0,07
VLDP019	19	3/4	G3/4	2	0,08
VLDP025	25	1	G1	2	0,13
VLDP032	32	1 1/4	G1 1/4	2	0,21
VLDP038	38	1 1/2	G1 1/2	2	0,23
VLDP050	50	2	G2	2	0,27
VLDP075	75	3	G3	2	0,50
VLDP100	100	4	G4	3	0,75

## Female coupler with male thread

Coupling standard: **Federal Mil A-A-59326A / EN 14420-7 / DIN 2828**  
 Thread: **EN 10226-1 / EN ISO 228-1**  
 Material: **Aluminium, Stainless Steel, Brass, Polypropylene**  
 For hose type: **POLIAX, CARBURITE, CARBOCORD, CHEMIOEL, FUCINO, WATER, IDRO, BEVERA**

a

### Aluminium



Part-No.	Hose I.D. mm	Inch	Thread	Handles	Weight kg/pcs
VLBA013	13	1/2	R1/2	1	0,07
VLBA019	19	3/4	R3/4	2	0,10
VLBA025	25	1	R1	2	0,16
VLBA032	32	1 1/4	R1 1/4	2	0,27
VLBA038	38	1 1/2	R1 1/2	2	0,30
VLBA050	50	2	R2	2	0,35
VLBA063	63	2 1/2	R2 1/2	2	0,43
VLBA075	75	3	R3	2	0,68
VLBA100	100	4	R4	2	0,92

### Stainless Steel (AISI 316/1.4401)



Part-No.	Hose I.D. mm	Inch	Thread	Handles	Weight kg/pcs
VLBR013	13	1/2	R1/2	1	0,12
VLBR019	19	3/4	R3/4	2	0,20
VLBR025	25	1	R1	2	0,29
VLBR032	32	1 1/4	R1 1/4	2	0,47
VLBR038	38	1 1/2	R1 1/2	2	0,54
VLBR050	50	2	R2	2	0,67
VLBR063	63	2 1/2	R2 1/2	2	1,14
VLBR075	75	3	R3	2	1,35
VLBR100	100	4	R4	2	1,97

### Brass



Part-No.	Hose I.D. mm	Inch	Thread	Handles	Weight kg/pcs
VLBM013	13	1/2	R1/2	1	0,17
VLBM019	19	3/4	R3/4	2	0,21
VLBM025	25	1	R1	2	0,32
VLBM032	32	1 1/4	R1 1/4	2	0,45
VLBM038	38	1 1/2	R1 1/2	2	0,52
VLBM050	50	2	R2	2	0,64
VLBM063	63	2 1/2	R2 1/2	2	0,94
VLBM075	75	3	R3	2	1,38
VLBM100	100	4	R4	2	1,94

### Polypropylene



Part-No.	Hose I.D. mm	Inch	Thread	Handles	Weight kg/pcs
VLBP013	13	1/2	R1/2	2	0,07
VLBP019	19	3/4	R3/4	2	0,08
VLBP025	25	1	R1	2	0,11
VLBP032	32	1 1/4	R1 1/4	2	0,21
VLBP038	38	1 1/2	R1 1/2	2	0,21
VLBP050	50	2	R2	2	0,25
VLBP075	75	3	R3	2	0,50
VLBP100	100	4	R4	3	0,76

## Plugs male/female

Coupling standard: **Federal Mil A-A-59326A / EN 14420-7 / DIN 2828**  
 Material: **Aluminium, Stainless Steel, Brass, Polypropylene**  
 For hose type: **POLIAX, CARBURITE, CARBOCORD, CHEMIOEL, FUCINO, WATER, IDRO, BEVERA**

### Aluminium



Part-No.	Hose I.D. mm	Inch	Weight kg/pcs
VLPA013	13	1/2	0,02
VLPA019	19	3/4	0,03
VLPA025	25	1	0,05
VLPA032	32	1 1/4	0,07
VLPA038	38	1 1/2	0,12
VLPA050	50	2	0,16
VLPA063	63	2 1/2	0,22
VLPA075	75	3	0,28
VLPA100	100	4	0,50

### Stainless Steel (AISI 316/1.4401) Male

### Female



Part-No.	Hose I.D. mm	Inch	Weight kg/pcs
VLPR013			0,06
VLPR019	19	3/4	0,08
VLPR025	25	1	0,13
VLPR032	32	1 1/4	0,25
VLPR038	38	1 1/2	0,32
VLPR050	50	2	0,46
VLPR063	63	2 1/2	0,67
VLPR075	75	3	0,93
VLPR100	100	4	1,59

Part-No.	Hose I.D. mm	Inch	Weight kg/pcs
VLKR025S	25	1	0,43
VLKR038S	38	1 1/2	0,70
VLKR050S	50	2	0,88
VLKR075S	75	3	1,58

### Brass



Part-No.	Hose I.D. mm	Inch	Weight kg/pcs
VLPM013	13	1/2	0,07
VLPM019	19	3/4	0,09
VLPM025	25	1	0,13
VLPM032	32	1 1/4	0,20
VLPM038	38	1 1/2	0,24
VLPM050	50	2	0,40
VLPM063	63	2 1/2	0,59
VLPM075	75	3	0,72
VLPM100	100	4	1,03

### Polypropylene



Part-No.	Hose I.D. mm	Inch	Weight kg/pcs
VLPP013	13	1/2	0,01
VLPP019	19	3/4	0,02
VLPP025	25	1	0,02
VLPP032	32	1 1/4	0,04
VLPP038	38	1 1/2	0,05
VLPP050	50	2	0,08
VLPP075	75	3	0,22
VLPP100	100	4	0,26